

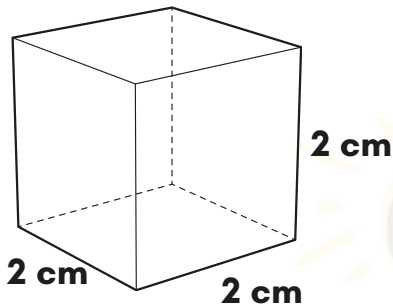
Name: \_\_\_\_\_

Date: \_\_\_\_\_

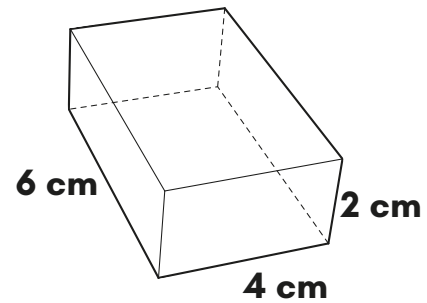
# Finding Volume

To find the volume of a rectangular prism, you multiply the length x width x height.

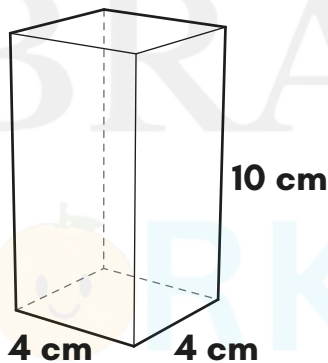
Find the volume of the following rectangular prisms.



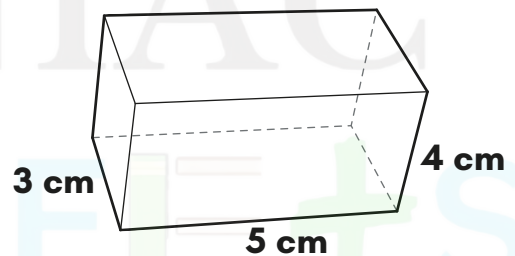
Volume \_\_\_\_\_



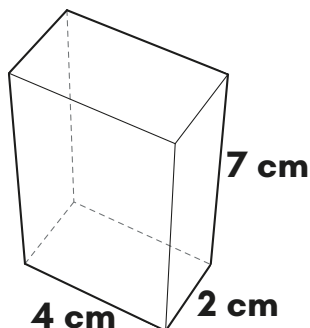
Volume \_\_\_\_\_



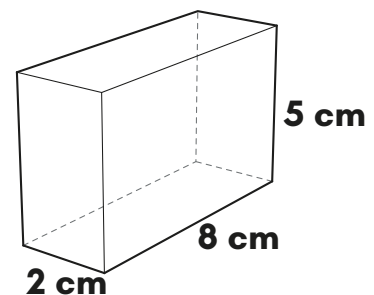
Volume \_\_\_\_\_



Volume \_\_\_\_\_



Volume \_\_\_\_\_



Volume \_\_\_\_\_